

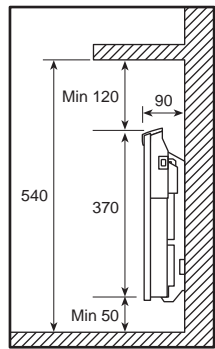
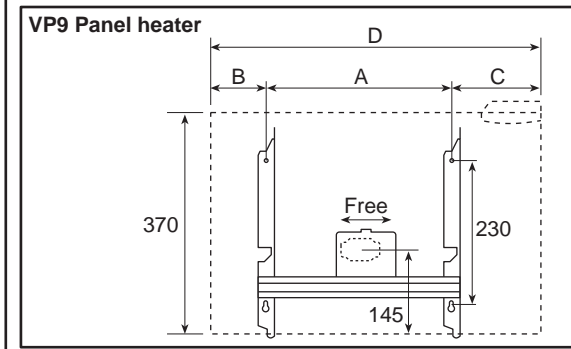
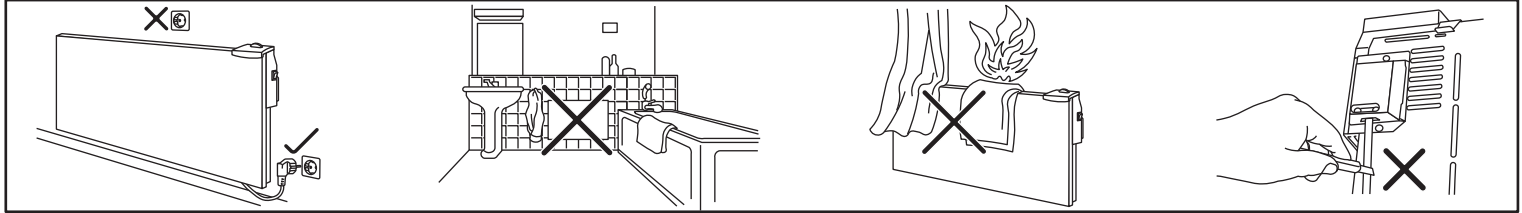
ADAX

VP9 / VL9 Model R / RK / RET / RKET Art. no. 62441

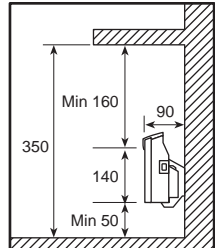
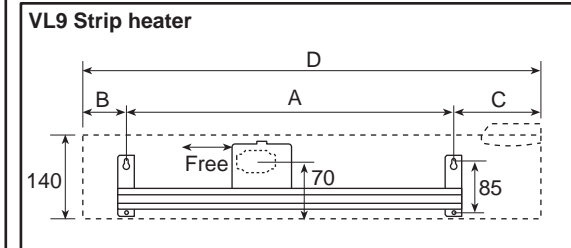
Monteringsanvisning Montageanweisung
 Monteringsvejledning Installation instructions
 Monteringsanvisning Instrukcja montażu
 Asennusohjeet



110108
 print 62441



VP9	Watts	B	A	C	D
VP9 04	400	45	300	145	490
VP9 06	600	95	300	150	545
VP9 08	800	155	300	205	660
VP9 10	1000	200	300	215	720
VP9 12	1200	115	600	180	890
VP9 14	1400	170	600	235	1005
VP9 20	2000	340	600	410	1350



VL9	Watts	B	A	C	D
VL9 04	400	155	300	205	660
VL9 06	600	82	600	150	835
VL9 08	800	170	600	235	1005
VL9 10	1000	285	600	350	1235
VL9 12	1200	112	1200	155	1465
VL9 15	1500	290	1200	320	1810

All measurements in millimetres
 Note – wall bracket is not symmetrically positioned on heater

