

Electric Towel Rail · Series

WAVE

A quiet warmth from the Nordic bathroom

SERIES 220030 — 220033
 220230 — 220233
 GTIN · 70406622003..
 GTIN · 70406622023..
 3 sizes · 2 finishes



EcoDesign
2.0 Ready



230V Type F
1,1M CABLE



MADE IN
EUROPE



EASY
INSTALL



DISPLAY
EASY USE



SPLASHPROOF
IP 44



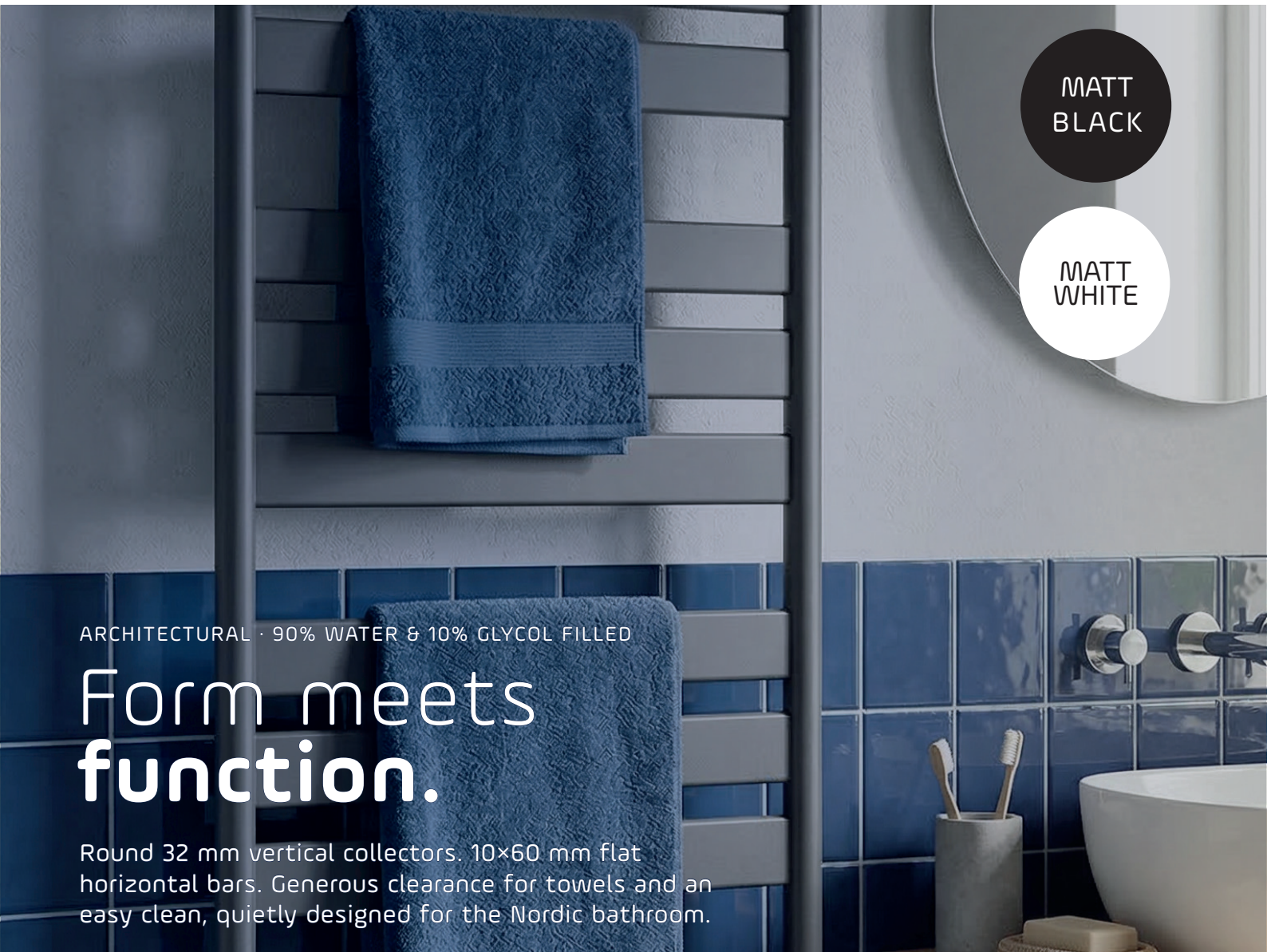
DIGITAL
THERMOSTAT



DOUBLE
INSULATED



5
YEARS
WARRANTY



ARCHITECTURAL · 90% WATER & 10% GLYCOL FILLED

Form meets function.

Round 32 mm vertical collectors. 10×60 mm flat horizontal bars. Generous clearance for towels and an easy clean, quietly designed for the Nordic bathroom.

THE WAVE FAMILY

Three sizes.
One signature.

Matched outputs and proportions each rail tuned to its room and its towel count.

220030 /
220230



300W

500 x 874 mm

220031 /
220231



500W

500 x 1274 mm

220033 /
220233



750W

600 x 1674 mm



SPECIFICATION · PAGE 02

Six references. One architecture.

Every Wave ships filled with a 90/10 water-glycol blend for even heat across the rail and long warmth after switch-off. The integrated Musa Eco controller sits bottom-right plug-and-play with a 230 V Type F outlet, no plumber required.

CLASS	Class II · double insulated
PROTECTION	IP44 splash-proof · IK09 impact resistant
SUPPLY	230 V / 50 Hz · Type F plug · 1.1 m cable
SURFACE	Powder coat DIN 55900 · RAL 9016 (white) / 9305 (black)
MAX. SURFACE	80°C (per norm)
WORKING TEMP	90°C models ≤ 500 W · 95°C model 750 W
FLUID	90 % water / 10 % glycol (pre-filled)
MATERIAL	Black steel
ECODESIGN	EcoDesign 2.0 Ready
CERTIFICATION	CE certified · tested to EN 60335-2-30 & -43
WARRANTY	5 years · Made in Europe

Overview of models

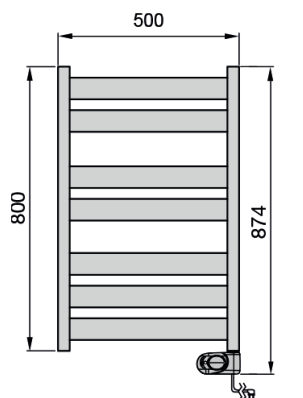
ELECTRIC OPERATION · WITH MUSA ECO

ITEM	CODE	GTIN	OUTPUT	H INCL.	H EXCL.	W	D	FILL	WEIGHT	TUBES
○ Wave 50-80-300 White	220030	7040662200304	300 W	874	800	500	48	1.99 L	8.9 kg	7
○ Wave 50-120-500 White	220031	7040662200311	500 W	1274	1200	500	48	3.09 L	13.6 kg	11
○ Wave 60-160-750 White	220033	7040662200335	750 W	1674	1600	600	48	4.74 L	20.5 kg	15
● Wave 50-80-300 Black	220230	7040662202308	300 W	874	800	500	48	1.99 L	8.9 kg	7
● Wave 50-120-500 Black	220231	7040662202315	500 W	1274	1200	500	48	3.09 L	13.6 kg	11
● Wave 60-160-750 Black	220233	7040662202339	750 W	1674	1600	600	48	4.74 L	20.5 kg	15

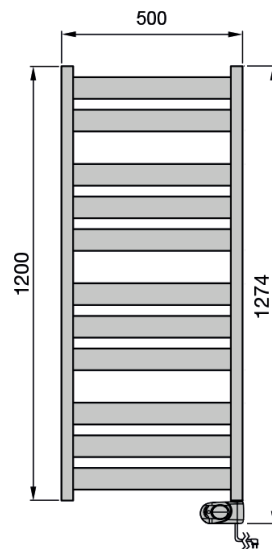
All models are supplied with wall brackets, fixing kit and user manual.

Dimensional drawings

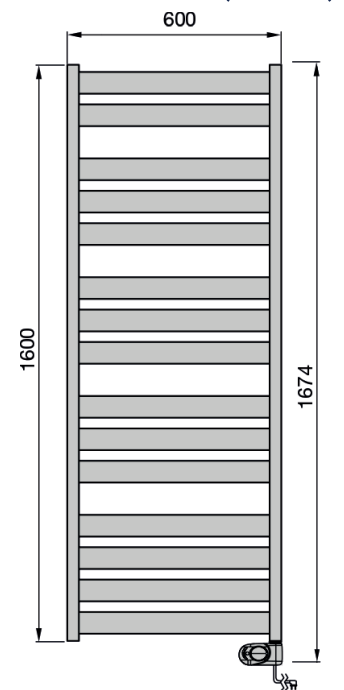
ALL MEASUREMENTS IN MM EXCLUDING CONTROLLER (+74 mm)



Wave 50-80-300
300w



Wave 50-120-500
500w



Wave 60-160-750
750w

MUSA ECO

Simple. User-friendly. Efficient.

CHRONO · BOOST · COMFORT
NIGHT · ANTI-FREEZE · PILOT



OPERATING MODES · 7

Seven ways to warm your day.

01 Comfort

Your chosen set point — held precisely when you're home.

02 Night

A quiet, lower setback while you sleep.

03 Chrono

Hour-by-hour weekly programme, fully customisable.

04 Boost · 2 h

Rapid warm-up for damp towels, then back to comfort.

05 Anti-freeze

Holds 7°C automatically — for holidays and guest rooms.

06 Open-window

Cuts output when a drop in temperature is detected.

07 Pilot Wire

Central-control compatible for integrated homes.

· Key-Lock

Prevents unintended setting changes in public spaces.

Range	7 – 30 °C, ±0.5 °C step
Display	Large digital LCD · mode + temperature
Protection	IP44 · Class II · CE marked
Install	Factory-mounted bottom-right · 1.1 m Type F cable
Finish	Matched RAL 9016 / RAL 9305 matt

EST.
1948



Since 1948, Adax has been keeping Scandinavians warm. Born in Norway, built for harsh winters — we understand what reliable, efficient heating really means. A quiet warmth, designed to last through generations.