

Electric Towel Rail · Series

# WAVE

A quiet warmth from the Nordic bathroom

SERIES 222030 — 222033  
 222230 — 222233  
 GTIN · 70406622203..  
 GTIN · 70406622223..  
 3 sizes · 2 finishes



EcoDesign  
2.0 Ready



11M CABLE  
incl. PILOT WIRE



MADE IN  
EUROPE



EASY  
INSTALL



XL  
DISPLAY  
EASY USE



SPLASHPROOF  
IP 44



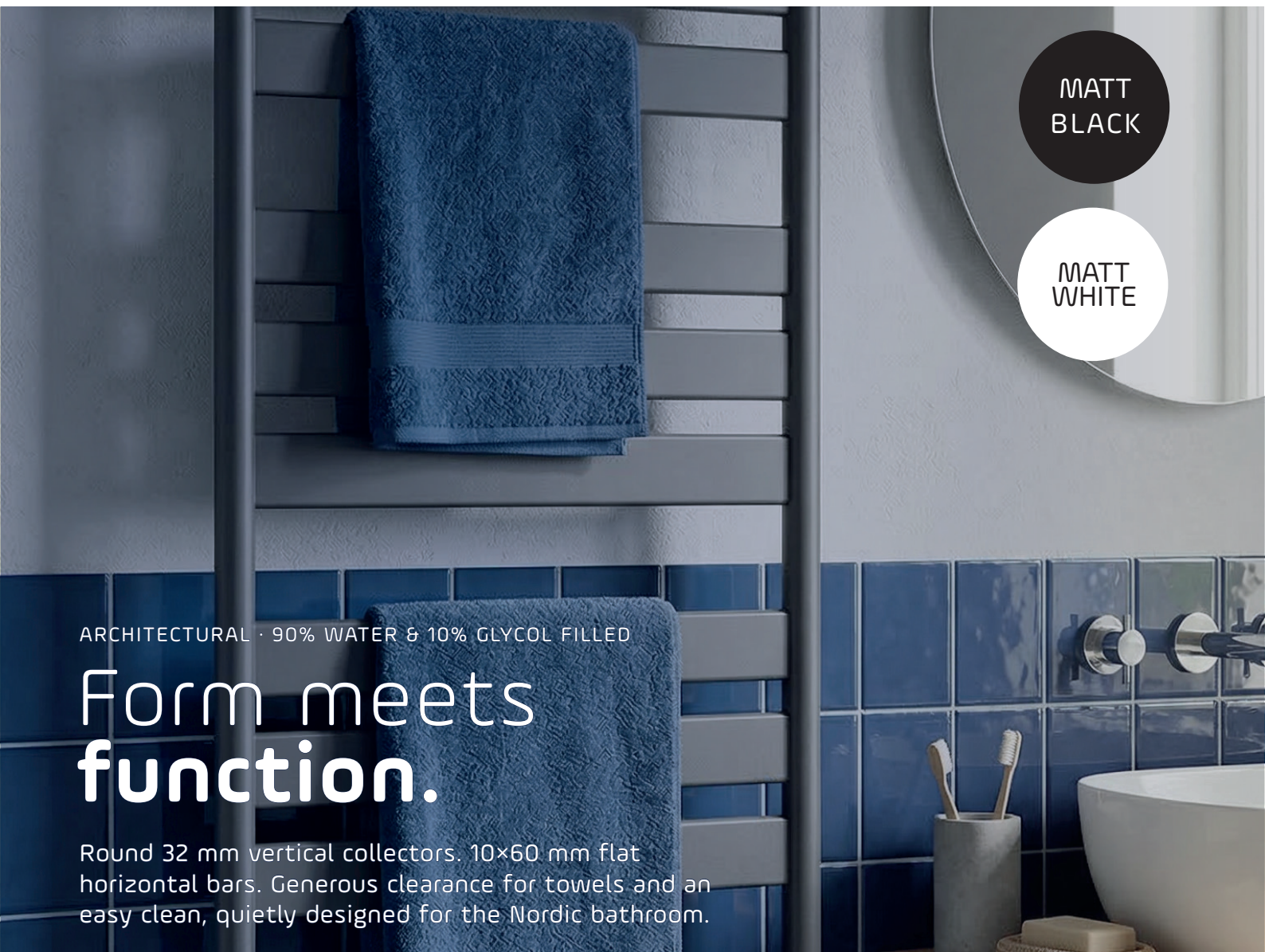
DIGITAL  
THERMOSTAT



DOUBLE  
INSULATED



5  
YEARS  
WARRANTY



MATT  
BLACK

MATT  
WHITE

ARCHITECTURAL · 90% WATER & 10% GLYCOL FILLED

## Form meets function.

Round 32 mm vertical collectors. 10x60 mm flat horizontal bars. Generous clearance for towels and an easy clean, quietly designed for the Nordic bathroom.

THE WAVE FAMILY

Three sizes.  
**One signature.**

Matched outputs and proportions each rail tuned to its room and its towel count.

222030 /  
222230



300W 500 x 874 mm

222031 /  
222231



500W 500 x 1274 mm

222033 /  
222233



750W 600 x 1674 mm



## Six references. One architecture.

Every Wave ships filled with a 90/10 water-glycol blend for even heat across the rail and long warmth after switch-off. The integrated Musa Eco controller sits bottom-right plug-and-play with a 230 V Type F outlet, no plumber required.

<b>CLASS</b>	Class II · double insulated
<b>PROTECTION</b>	IP44 splash-proof · IK09 impact resistant
<b>SUPPLY</b>	230 V / 50 Hz · Pilot wire · 1.1 m cable without plug
<b>SURFACE</b>	Powder coat DIN 55900 · RAL 9016 (white) / 9305 (black)
<b>MAX. SURFACE</b>	80°C (per norm)
<b>WORKING TEMP</b>	90°C models ≤ 500 W · 95°C model 750 W
<b>FLUID</b>	90 % water / 10 % glycol (pre-filled)
<b>MATERIAL</b>	Black steel
<b>ECODESIGN</b>	EcoDesign 2.0 Ready
<b>CERTIFICATION</b>	CE certified · tested to EN 60335-2-30 & -43
<b>WARRANTY</b>	5 years · Made in Europe

### Overview of models

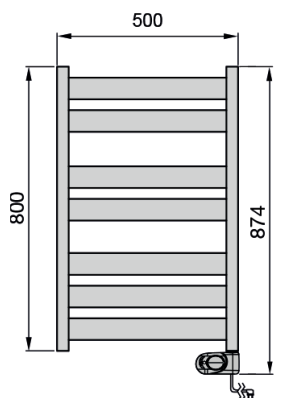
ELECTRIC OPERATION · WITH MUSA ECO

ITEM	CODE	GTIN	OUTPUT	H INCL.	H EXCL.	W	D	FILL	WEIGHT	TUBES
○ Wave 50-80-300 White	222030	7040662220302	300 W	874	800	500	48	1.99 L	8.9 kg	7
○ Wave 50-120-500 White	222031	7040662220319	500 W	1274	1200	500	48	3.09 L	13.6 kg	11
○ Wave 60-160-750 White	222033	7040662220333	750 W	1674	1600	600	48	4.74 L	20.5 kg	15
● Wave 50-80-300 Black	222230	7040662222306	300 W	874	800	500	48	1.99 L	8.9 kg	7
● Wave 50-120-500 Black	222231	7040662222313	500 W	1274	1200	500	48	3.09 L	13.6 kg	11
● Wave 60-160-750 Black	222233	7040662222337	750 W	1674	1600	600	48	4.74 L	20.5 kg	15

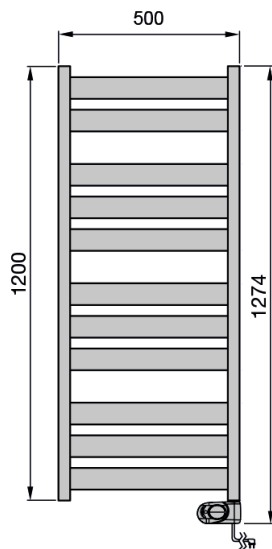
All models are supplied with wall brackets, fixing kit and user manual.

### Dimensional drawings

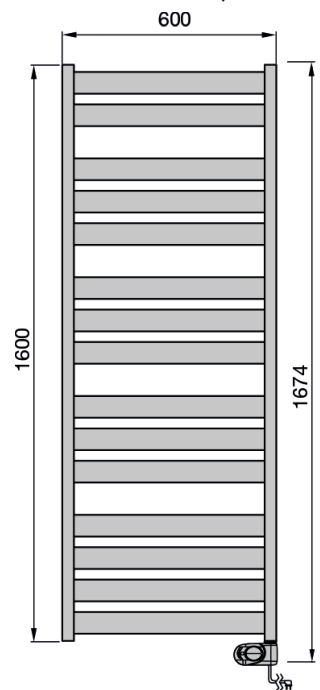
ALL MEASUREMENTS IN MM EXCLUDING CONTROLLER (+74 mm)



**Wave 50-80-300**  
300w



**Wave 50-120-500**  
500w



**Wave 60-160-750**  
750w

# MUSA ECO

Simple. User-friendly. Efficient.

CHRONO · BOOST · COMFORT  
NIGHT · ANTI-FREEZE · PILOT



## OPERATING MODES · 7

### Seven ways to warm your day.

#### 01 Comfort

Your chosen set point — held precisely when you're home.

#### 02 Night

A quiet, lower setback while you sleep.

#### 03 Chrono

Hour-by-hour weekly programme, fully customisable.

#### 04 Boost · 2 h

Rapid warm-up for damp towels, then back to comfort.

#### 05 Anti-freeze

Holds  $7^{\circ}\text{C}$  automatically — for holidays and guest rooms.

#### 06 Open-window

Cuts output when a drop in temperature is detected.

#### 07 Pilot Wire

Central-control compatible for integrated homes.

#### · Key-Lock

Prevents unintended setting changes in public spaces.

Range	7 – 30 °C, $\pm 0.5^{\circ}\text{C}$ step
Display	Large digital LCD · mode + temperature
Protection	IP44 · Class II · CE marked
Install	Factory-mounted bottom-right · 1.1 m cable (no plug)
Finish	Matched RAL 9016 / RAL 9305 matt

EST.  
1948



Since 1948, Adax has been keeping Scandinavians warm. Born in Norway, built for harsh winters — we understand what reliable, efficient heating really means. A quiet warmth, designed to last through generations.